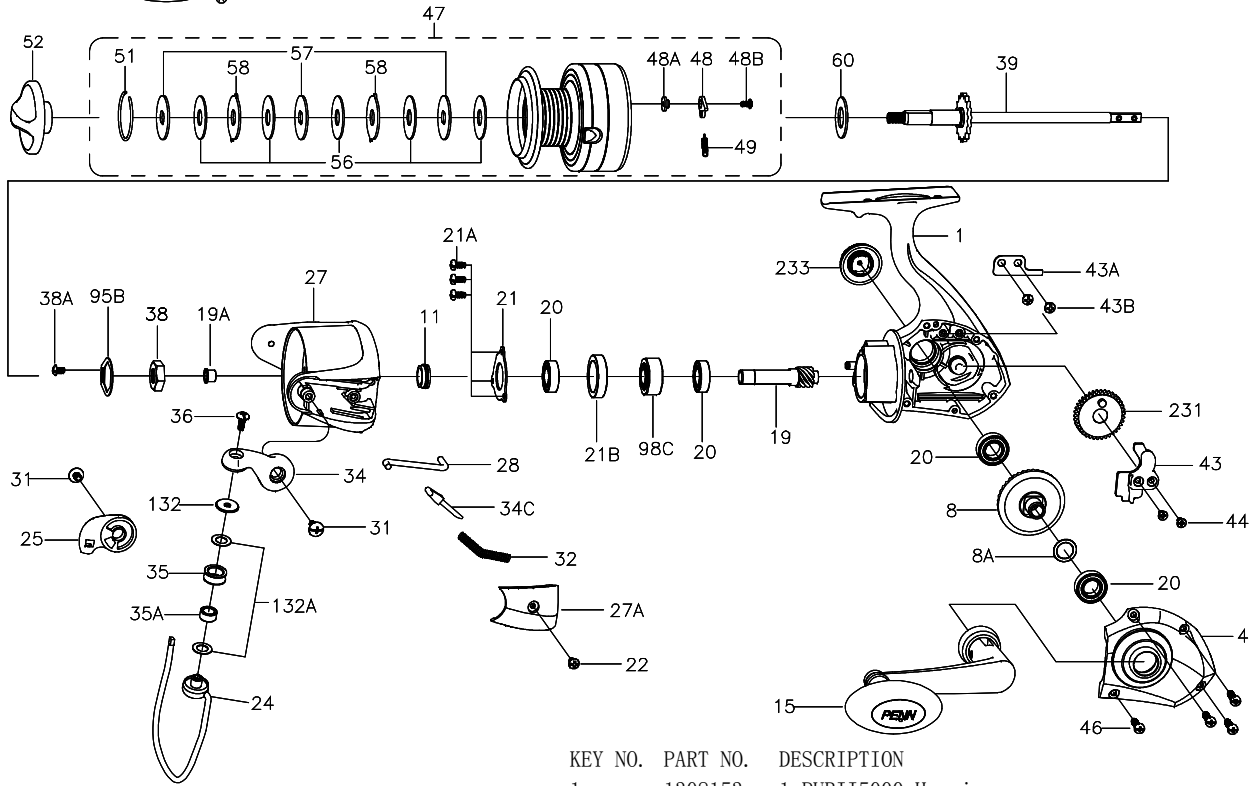




PARTS LIST FOR MODEL PURII5000/PURII6000



| KEY NO. | PART NO. | DESCRIPTION |
|---------|----------|---|
| 27 | 1308161 | 27-PURII6000 Rotor (w/weight & screw) |
| 27A | 1204023 | 27A-5000PUR Bail Pivot Cover |
| 27A | 1204025 | 27A-6000PUR Bail Pivot Cover |
| 28 | 1204026 | 28-5000PUR Trip Lever |
| 28 | 1204027 | 28-6000PUR Trip Lever |
| 31 | 1203987 | 31-3000PUR Bail Arm Screw (2 req) |
| 31 | 1204039 | 31-6000PUR Bail Arm Screw (2 req) |
| 32 | 1203988 | 32-3000PUR Bail Spring |
| 32 | 1200520 | 32-6000SG Bail Spring |
| 34 | 1211513 | 34-3000FRC Bail Arm |
| 34 | 1214201 | 34-6000FRC Bail Arm |
| 34C | 1203990 | 34C-3000PUR Pivot Arm |
| 34C | 1191656 | 34C-7000SG Pivot Arm |
| 35 | 1191674 | 35-3000SG Line Roller |
| 35A | 1203992 | 35A-3000PUR Line Roller Bushing |
| 36 | 1191699 | 36-3000SG Bail Stud Screw (PURII5000) |
| 36 | 1203993 | 36-3000PUR Bail Stud Screw (PURII5000) |
| 38 | 1204049 | 38-5000PUR Rotor Nut |
| 38A | 1203995 | 38A-3000PUR Rotor Locking Plate Screw |
| 39 | 1204051 | 39-5000PUR Main Shaft Assembly |
| 39 | 1214203 | 39-6000FRC Main Shaft Assembly |
| 43 | 1191805 | 43-5000SG Crosswind Block |
| 43A | 1191820 | 43A-5000SG Crosswind Block Plate |
| 43B | 1203997 | 43B-3000PUR Crosswind Block Plate Screw (2 req) |
| 44 | 1191845 | 44-5000SG Crosswind Block Screw (2 req) |
| 45 | 1308162 | 45-PURII5000 Housing Cover |
| 46 | 1204054 | 46-5000PUR Housing Cover Screw (4 req) |
| 47 | 1308163 | 47-PURII5000 Spool Assembly |
| 47 | 1308164 | 47-PURII6000 Spool Assembly |
| 48 | 1211625 | 48-5000SG Click Tongue |
| 48A | 1211626 | 48A-5000SG Click Tongue Washer |
| 48B | 1211612 | 48B-5000SG Spool Click Screw |
| 49 | 1211627 | 49-5000SG Click Tongue Spring |
| 51 | 1287230 | 51-6000PUR Drag Retaining Ring |
| 52 | 1308165 | 52-PURII5000 Drag Knob Assembly |
| 56 | 1192036 | 56-5000SG Drag Washer (5 req) |
| 57 | 1192044 | 57-5000SG Keyed Washer (3 req) |
| 58 | 1192053 | 58-5000SG Eared Washer (2 req) |
| 60 | 1192062 | 60-5000SG Thrust Washer |
| 95B | 1192186 | 95B-5000SG Rotor Locking Plate |
| 98C | 1192215 | 98C-5000SG Clutch/Sleeve Assembly |
| 132 | 1192297 | 132-5000SG Roller Washer |
| 132A | 1192302 | 132A-3000SG Line Roller Washer (2 req) |
| 231 | 1192503 | 231-5000SG Crosswind Gear |
| 231 | 1200523 | 231-6000SG Crosswind Gear |
| 233 | 1308166 | 233-PURII5000 Bearing Cover Assembly |

| KEY NO. | PART NO. | DESCRIPTION |
|---------|----------|--|
| 1 | 1308153 | 1-PURII5000 Housing |
| 1 | 1308154 | 1-PURII6000 Housing |
| 8 | 1204009 | 8-5000PUR Main Gear |
| 8A | 1191030 | 8A-5000SG Shim |
| 11 | 1191085 | 11-5000SG Bushing |
| 15 | 1308155 | 15-PURII5000 Handle Assembly |
| 19 | 1204011 | 19-5000PUR Pinion Gear |
| 19A | 1191253 | 19A-5000SG Pinion Bushing |
| 20 | 1204012 | 20-5000PUR Ball Bearing (4 req) |
| 21 | 1192636 | 21-5000SG Bearing Retainer |
| 21A | 1204016 | 21A-5000PUR Bearing Retainer Screw (3 req) |
| 21B | 1192650 | 21B-5000SG Collar |
| 22 | 1203978 | 22-3000PUR Bail Pivot Cover Screw |
| 22 | 1204018 | 22-6000PUR Bail Pivot Cover Screw |
| 24 | 1308156 | 24-PURII5000 Bail Wire |
| 24 | 1308157 | 24-PURII6000 Bail Wire |
| 25 | 1308145 | 25-PURII3000 Bail Holder |
| 25 | 1308159 | 25-PURII6000 Bail Holder |
| 27 | 1308160 | 27-PURII5000 Rotor (w/weight & screw) |

407-PURII5000/PURII6000 Rev. 1 6-3-13

1292960/1292962